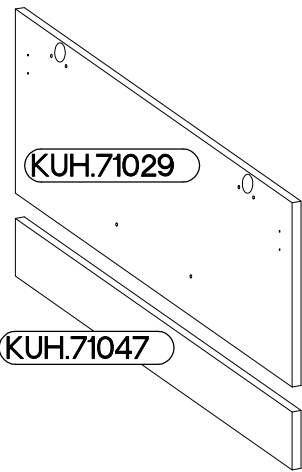
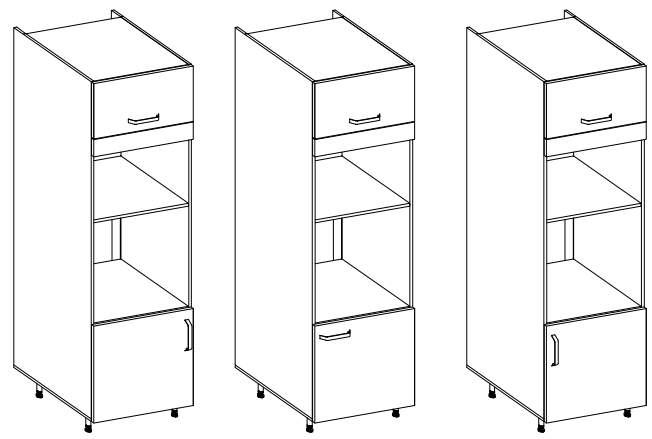
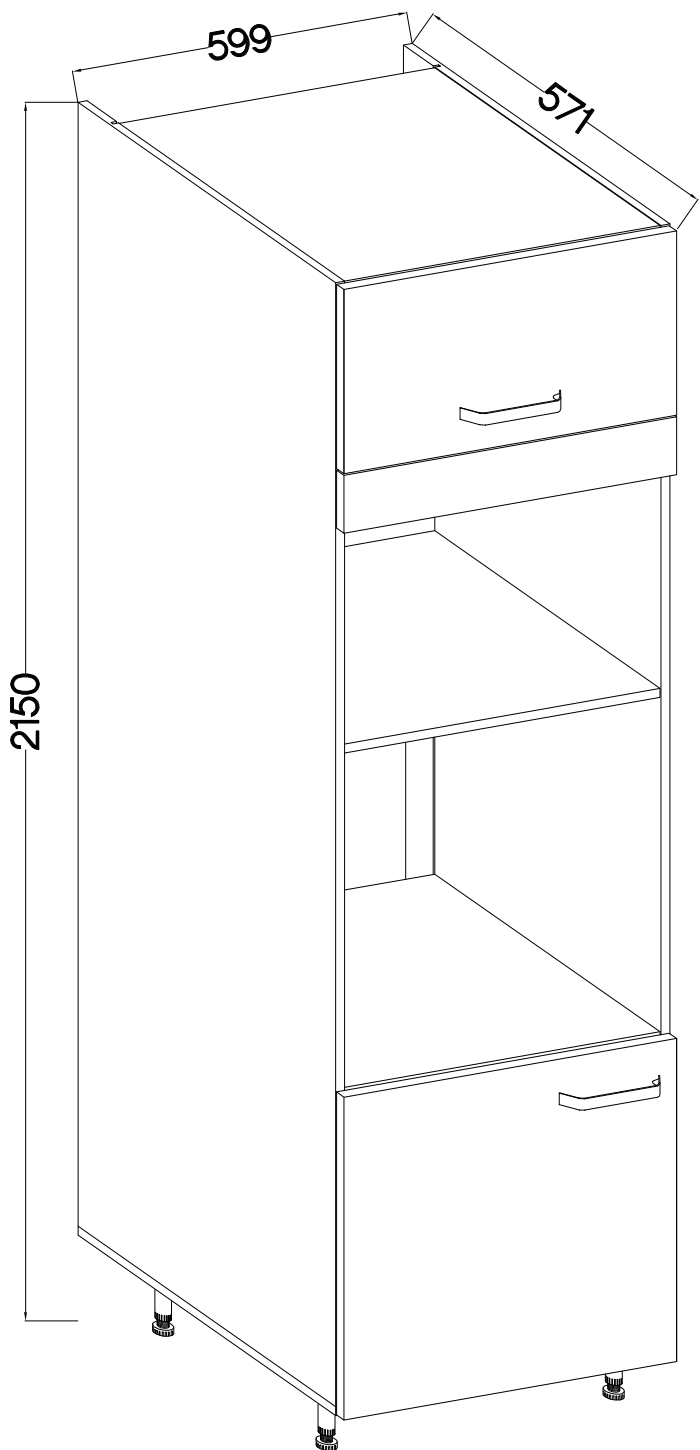
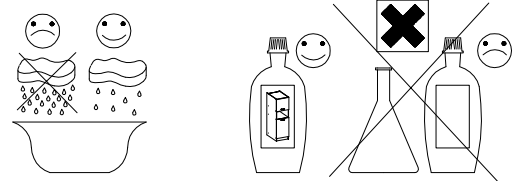
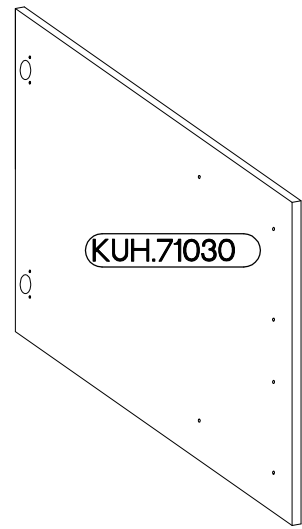


60 DPM-2100 2F
FRONT



KUH.71047



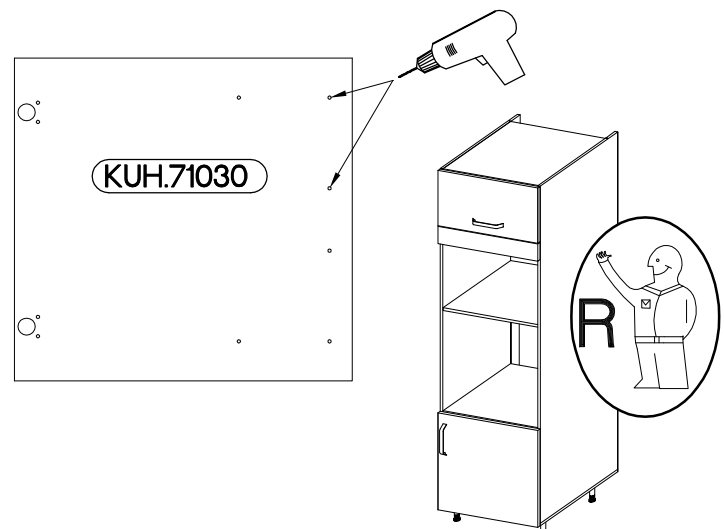
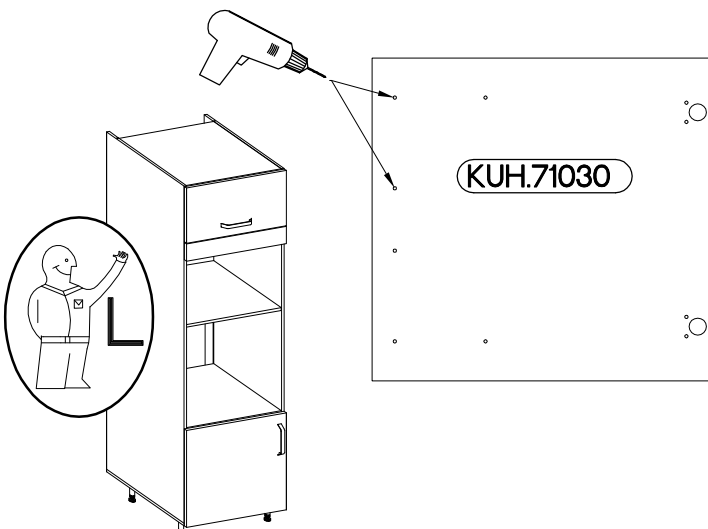
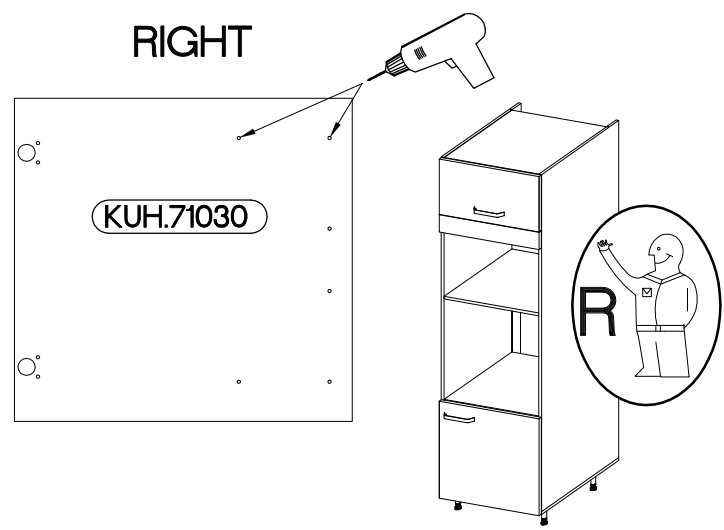
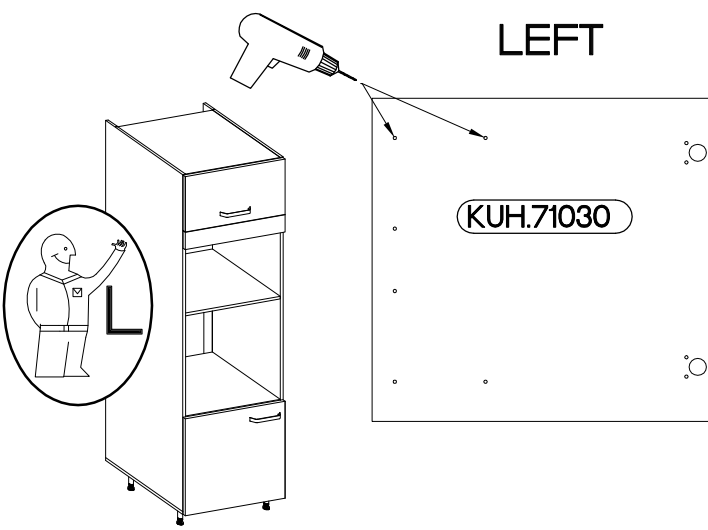
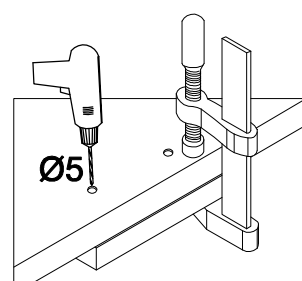
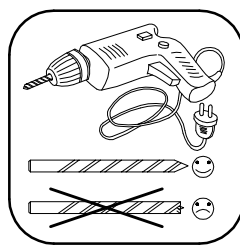
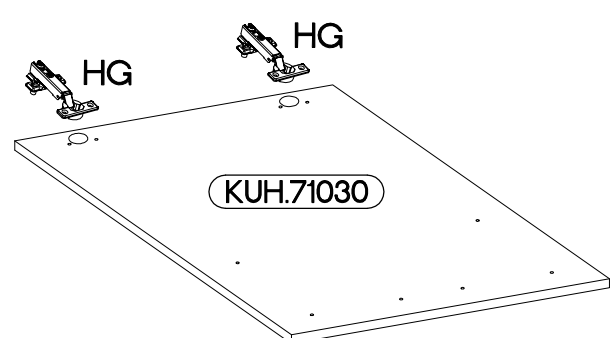
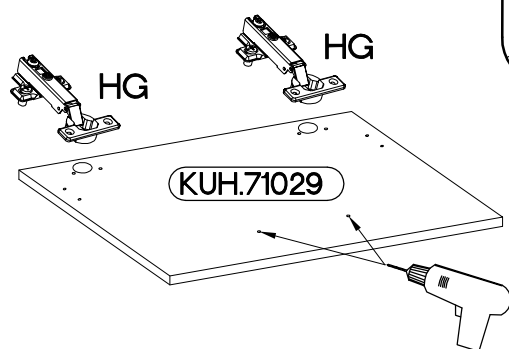
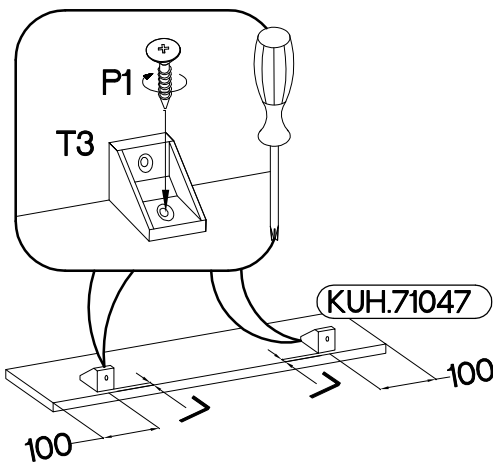
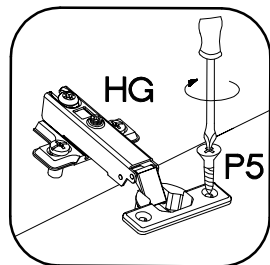
KUH.71030

L=160mm	M4x22mm
S	U
2	4

Ersatzteil Nummer	Dimension
KUH.71029	325x596x16
KUH.71047	102x596x16
KUH.71030	570x596x16

ISM-KUH-01851

±35/0mm [CD] HG 4	±3.5x13mm P5 8	T3 2	±4.0x16mm P1 2
----------------------------	----------------------	---------	----------------------



2

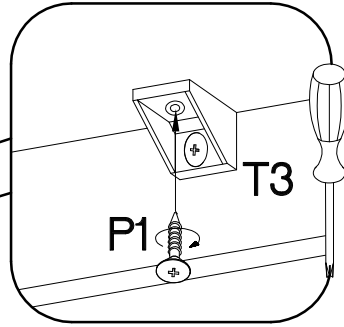
4.0x16mm



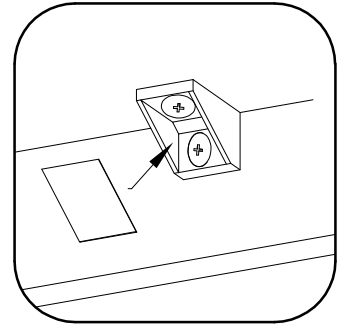
P1

2

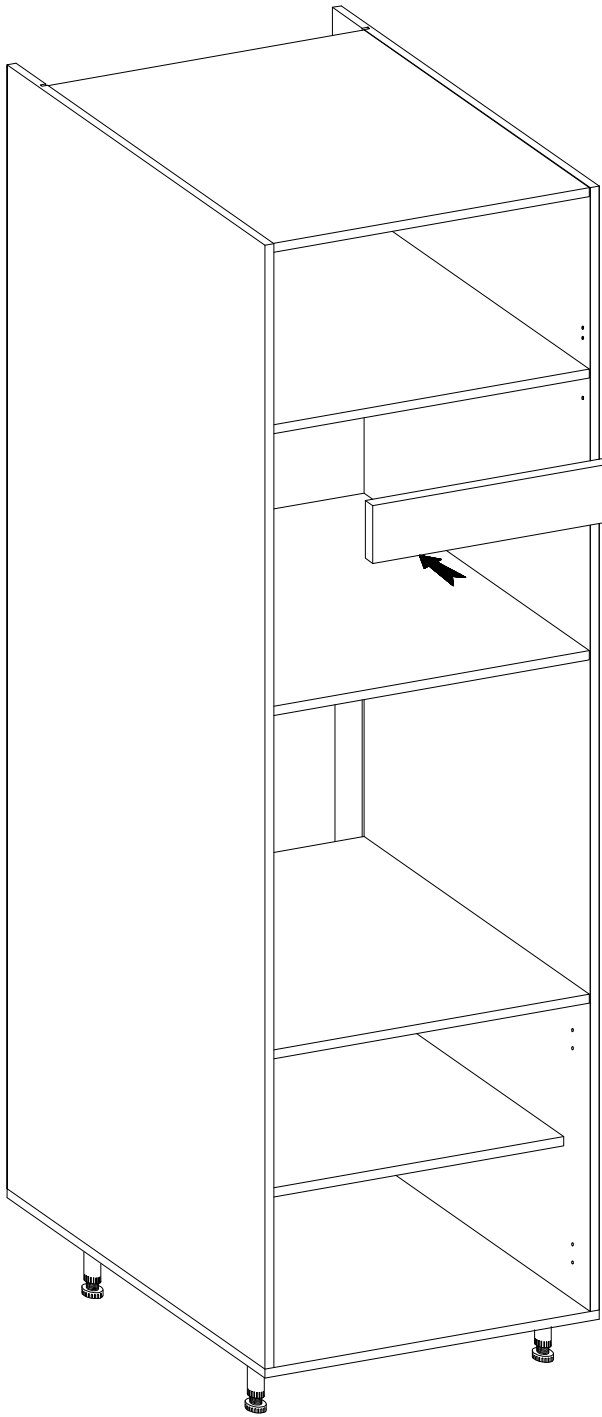
1.



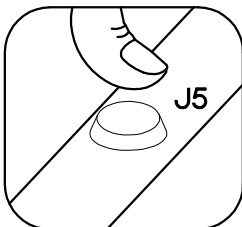
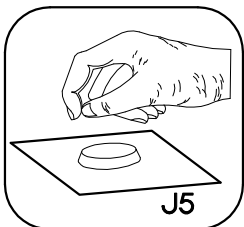
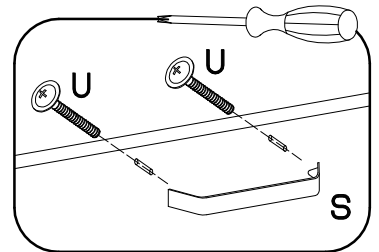
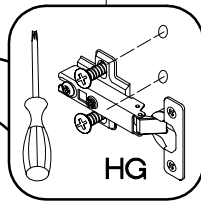
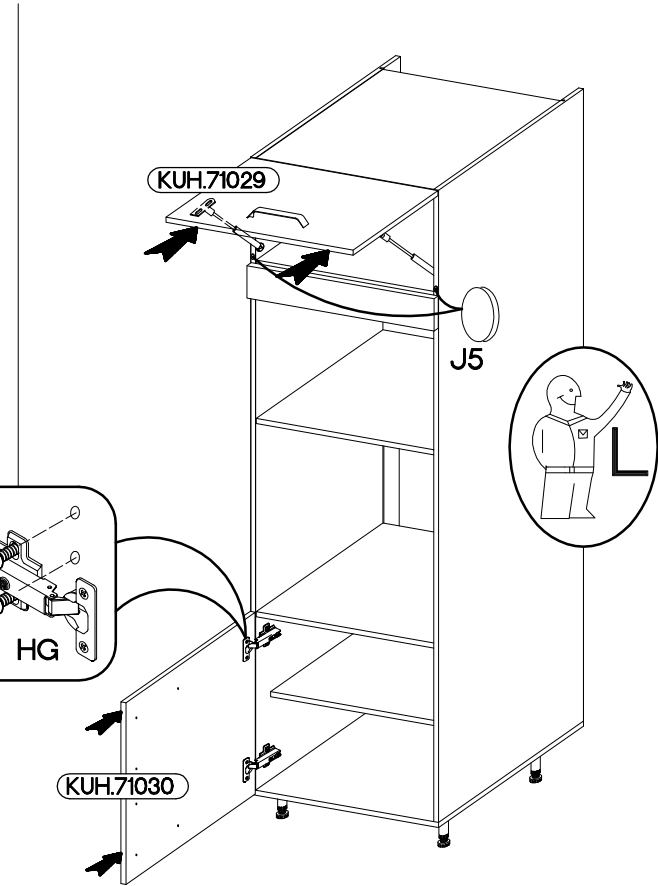
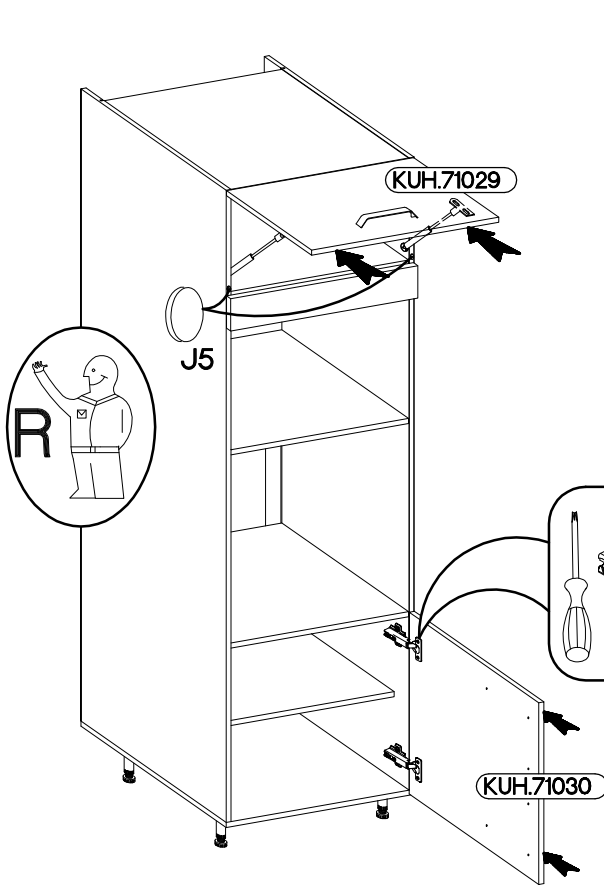
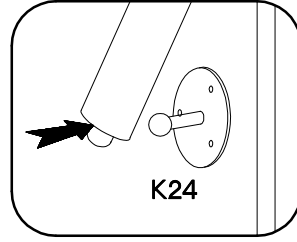
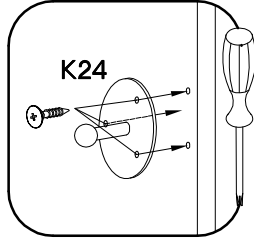
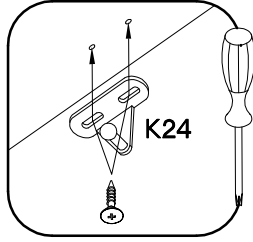
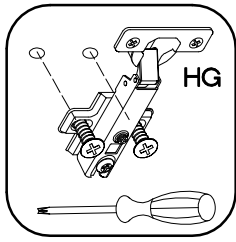
2.



KUH.71047



2 K24	2 J5	2 S	4 U



VARIANT HIGH GLOSS

